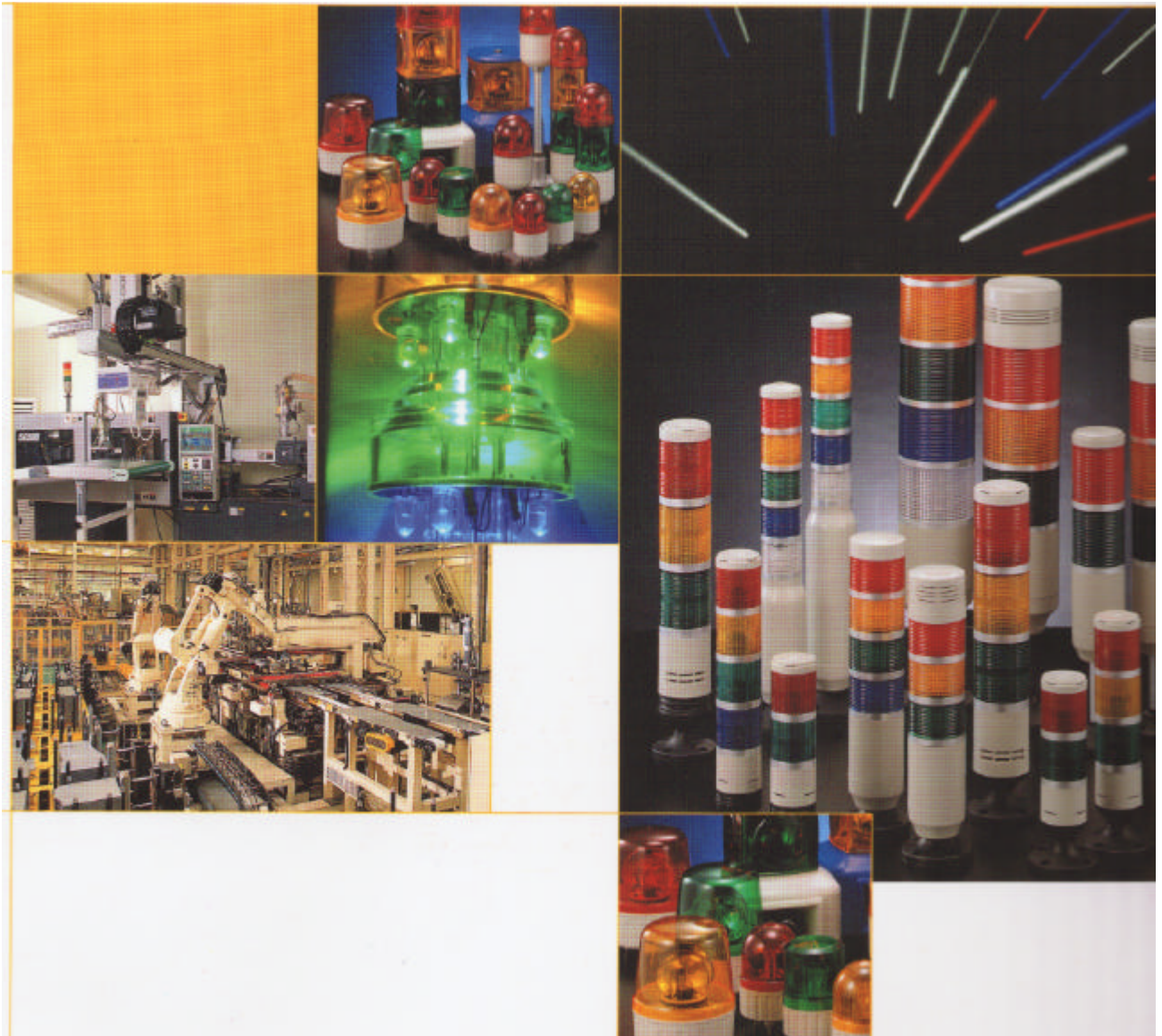


Indicating Lights

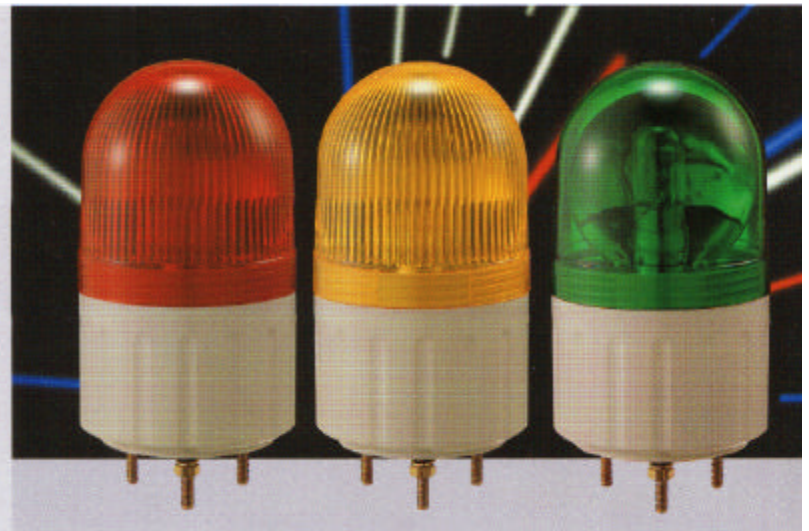


ML Series Miniature ø66mm Signal Light



Features

- ø 66 mm lens diameter
- Rotating, flashing and strobe models
- Stud or pole mounting
- 4 lens colors available
- Various operating voltages
- Incandescent or Xenon bulb



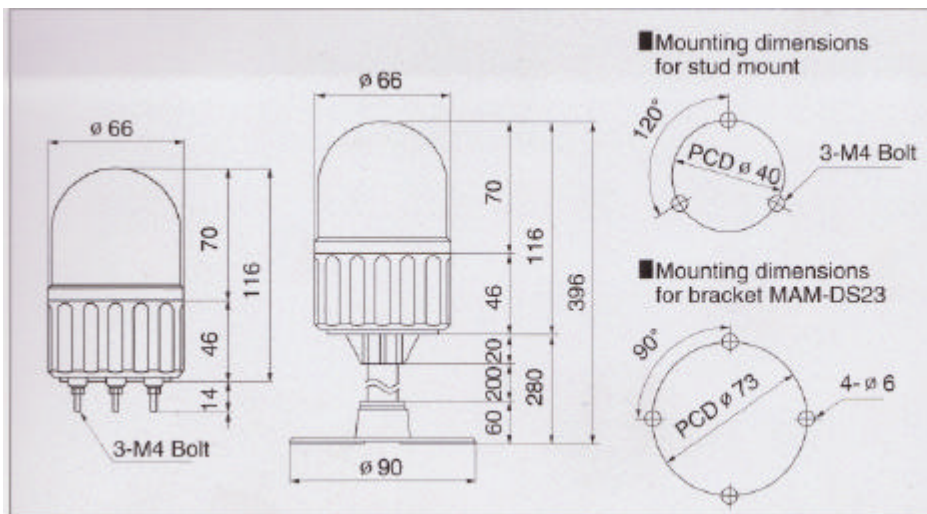
1 Ordering information

		ML G F 110 R
		1 2 3 4 5
1	ML	ø66mm Signal Light
2	G	Stud mount
	P	Pole mount
3		Rotating mirror
	F	Flashing light
4	S	Strobe light
	12	12 VDC
	24	24 VDC
	110	110 VAC
5	220	220 VAC
	R	Red lens
	G	Green lens
	Y	Yellow lens
	B	Blue lens

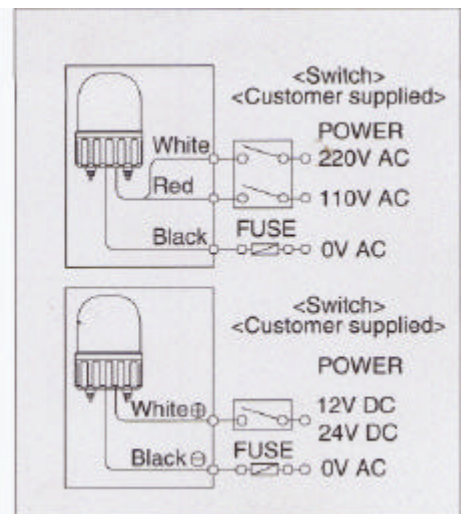
1 Specifications

Series	MLG / MLP	MLGF / MLPF	MLGS / MLPS
Power supply	12VDC, 24VDC, 110VAC, 220VAC		110VAC, 220VAC
Lens type	Smooth type		Prism and Smooth type
Lens color	Red, Green, Yellow, Blue		
Rotation rate	130 / min		
Flash rate	80 / min		
Current consumption	12VDC: 0.7A 110VAC : 0.07A	24VDC: 0.3A 220VAC: 0.03A	110VAC : 0.22A 220VAC : 0.11A
Bulb type	MAB-T15-S-volt/8W		Xenon
Line voltage/ Bulb ratings	12VDC: 12V 8W 110VAC : 110V 8W	24VDC: 24V SW 220VAC : 220V 8W	6W
Termination	Wire leads		

1 Dimensions



(UNIT:mm) 1 Connections



AS Series Standard \varnothing 86mm Signal Light

Features

- \varnothing 86 mm lens diameter
- Rotating, flashing and strobe models
- Stud mounting
- 4 lens colors available
- Various operating voltages
- Incandescent or Xenon bulb



Ordering information

	AS	G	B	110	R
	1	2	3	4	5
1	AS	0 86mm Signal Light			
2	G	Stud mount			
3		Rotating mirror			
	B	Rotating mirror +buzzer			
	F	Flashing light			
4	S	Strobe light			
	12	12 VDC			
	24	24 VDC			
	110	110 VAC			
	220	220 VAC			
5	F	110 / 220 VAC			
	R	Red lens			
	G	Green lens			
	Y	Yellow lens			
	B	Blue lens			

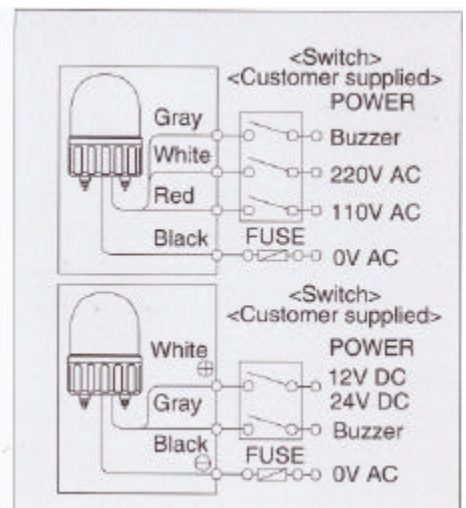
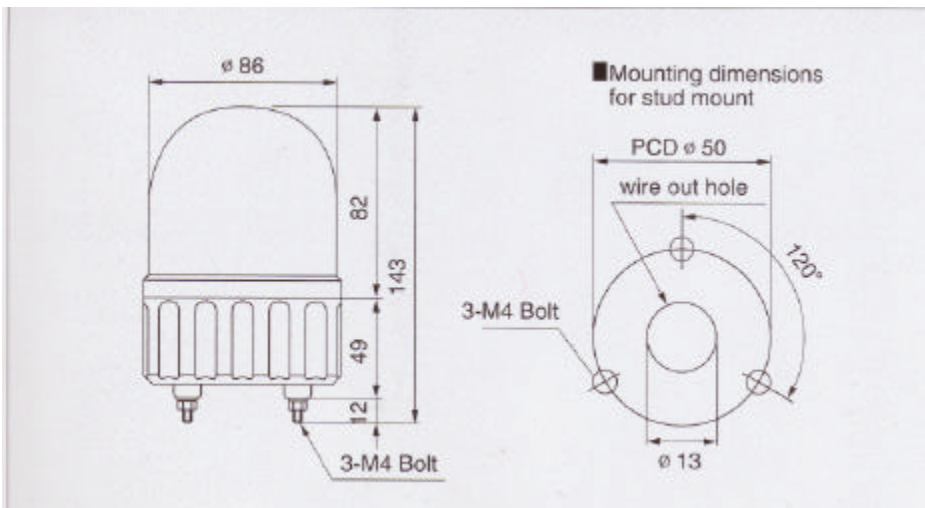
Specifications

Series	ASG / ASGB	ASGF	ASGS
Power supply	12VDC, 24VDC, 110/220VAC		110VAC, 220VAC
Lens type	Smooth type		Prism type
Lens color	Red, Green, Yellow, Blue		
Rotation rate	130 / min		
Flash rate			80 / min
Internal buzzer	Available		Not available
Sound level	80 dB		
Current consumption	12VDC: 0.7A 110VAC: 0.07A	24VDC: 0.3A 220VAC: 0.03A	110VAC: 0.22A 220VAC: 0.11A
Bulb type	MAB-T15-S-volt/5W,8W		
Line voltage/ Bulb ratings	12VAC:12V8W 24VAC:24V8W 110VAC:12V5W 220VAC: 12V5W	12VAC: 12V8W 24VAC:24V8W 110VAC:110V8W 220VAC:220V8W	6W Xenon
Termination	Wire leads		

Dimensions

(UNIT:mm)

1 Connections



AVG Series Large ø135mm Rotating Signal Light



Features

- ø 135mm lens diameter for easy viewing at long distance
- Large rotating mirror
- Available with or without internal buzzer
- Various operating voltages available
- Choice of red, yellow, green or blue lens
- Stud mounting
- Ideal for large machines, construction sites, parking systems, etc.

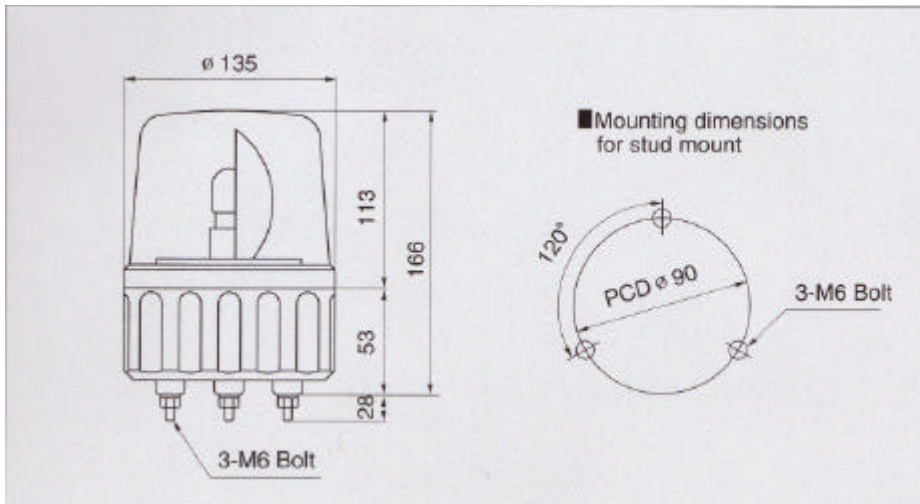
• Ordering information

		AVG B 110 R			
		1	2	3	4
1	AVG	ø135mm Signal Light			
2		Rotating mirror			
	B	Rotating mirror +buzzer			
3	12	12 VDC			
	224	24 VDC			
	110	110 VAC			
	220	220 VAC			
4	R	Red lens			
	G	Green lens			
	Y	Yellow lens			
	B	Blue lens			

• Specifications

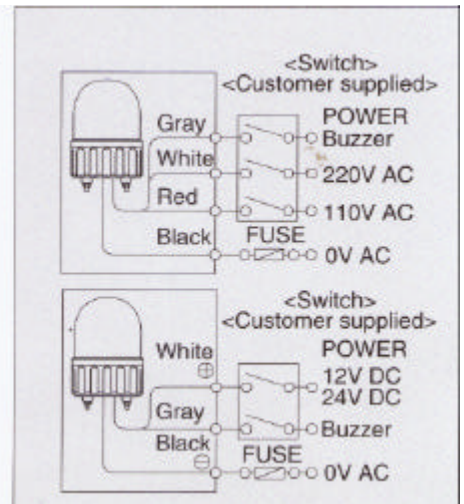
Series	AVG	AVGB
Power supply	12VDC, 24VDC, 110VAC, 220VAC	
Lens type	Smooth type	
Lens color	Red, Green, Yellow, Blue	
Rotation rate	150 / min	
Internal buzzer	Not available	Available
Sound level	80 dB	
Current consumption	12VDC: 2.08A, 24VDC: 1.04A, 110VAC: 0.22A, 220VAC: 0.11 A	
Bulb type	MAB-T15-D-volt/25W	
Line voltage/ Bulb ratings	12VDC: 12V 25W, 24VDC: 24V 25W, 110VAC: 110V 25W, 220VAC: 220V 25W	
Termination	Wire leads	

• Dimensions



(UNIT: mm)

• Connections



MSGS Series Rotating Tower Light With Audible Alarms



Features

- Large 125mm dimension lens
- One to five light models
- Uses 25W bulbs for easy viewing at long distance
- Three selectable audio sounds (melody, siren and two tone)
- Audio can be used by itself or with a light
- 5 lens colors available
- 4 operating voltages available



Ordering information

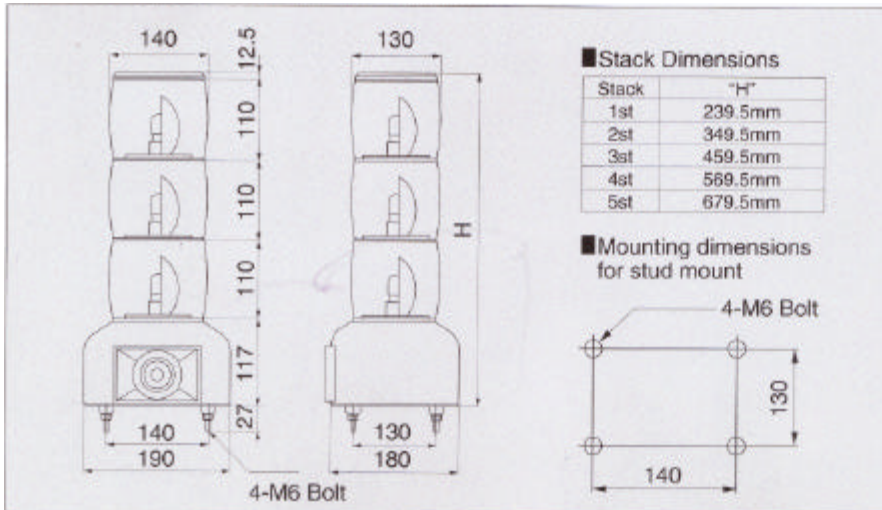
		MSGS 220 3 RYG			
		1	2	3	4
1	MSGS	Rotating Tower Light			
2	12	12 VDC			
	24	24 VDC			
	110	110 VAC			
3	220	220 VAC			
	1	1 Stack			
	2	2 Stack			
	3	3 Stack			
	4	4 Stack			
4	5	5 Stack			
	R	Red lens			
	G	Green lens			
	Y	Yellow lens			
	B	Blue lens			
	C	Clear lens			

Specifications

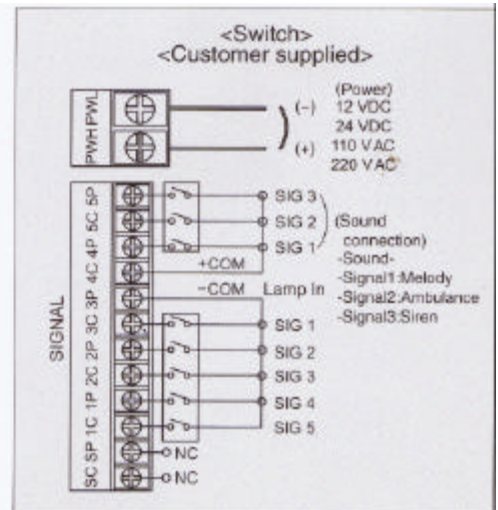
Series	MSGS
Power supply	12VDC, 24VDC, 110VAC, 220VAC
Lens type	Magnified lens
Lens color	Red, Green, Yellow, Blue, Clear
Rotation rate	150 / min
Sound level	100 dB / meter
Current consumption	12VDC:2.08A 24VDC:1.04A 110VAC:2.08A 220VAC:2.08A
Bulb type	MAB-TI5-D-volt/25W
Bulb voltage and wattage	12VDC:12V25W 24VDC:24V25W 110VAC:12V25W 220VAC:12V25W
Termination	Screw terminals
Sound	Melody, Two tone, Siren

Dimensions

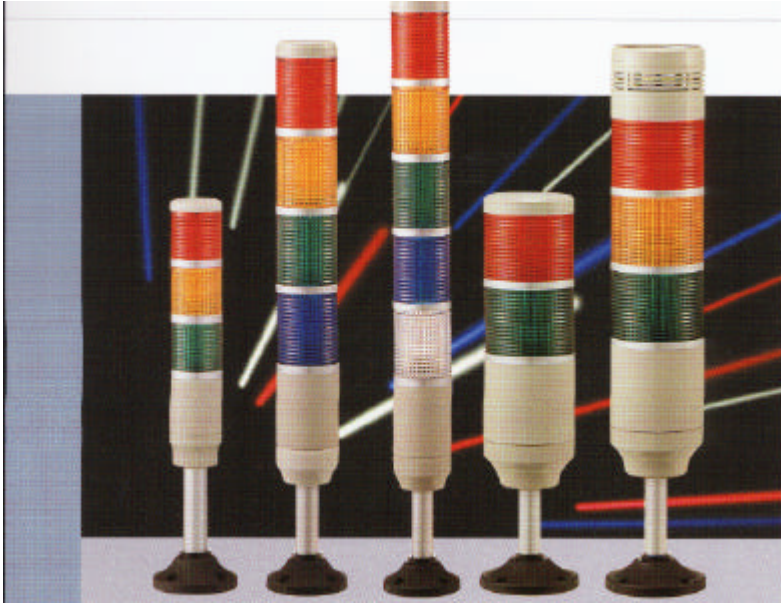
(UNIT:mm)



Connections



MT 5C/8C Series ø56mm & ø85mm Tower Light-Programmable Flash Mode



• Ordering information

MT 5C 3 A L RYG

1 2 3 4 5 6

1	MT series					
2	5C	56mm Flash type				
	8C	85mm Flash type				
3	B	Buzzer stack				
	1	1stack(Red)				
	2	2stack(R+G)				
	3	3stack(R+Y+G)				
	4	4stack(R+Y+G+B)				
	5	5stack(R+Y+G+B+C)				
4	A	24VAC / DC				
	B	120VAC				
	C	240VAC				
5	L	Leads out				
	T	Terminals				
	R	Red lens				
6	G	Green lens				
	Y	Yellow lens				
	B	Blue lens				
	C	Clear lens				

See page 10 for Mounting options. Available Buzzer kits as MPZ 56C for MT 5C Series and MPZ 85C for MT 8C series.

• Buzzer Kit Option

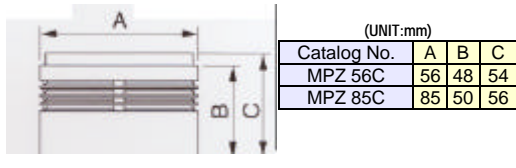
MPZ 56 C
1 2

1	56	Ø 56
	85	Ø 85
3	A	24VAC/D
	C	120/240VAC

Features

- Prism-cut lenses for superior light distribution
- Internally programmable for steady or flashing operation for each light
- 4 mounting styles available
- Field wiring with screw terminals or wire leads
- One to five light models
- Buzzer kit available –
- 3 operating voltages available
- 5 lens colors available

• Dimensions



Leads Out & Terminal Board Version

Catalog No.	A	B	C	T	D	E	1	2	3	4	5
MT 5C	29	200	95	173	56	15	68	136	204	272	340
MT 8C	29	200	108	188	85	15	68	136	204	272	340

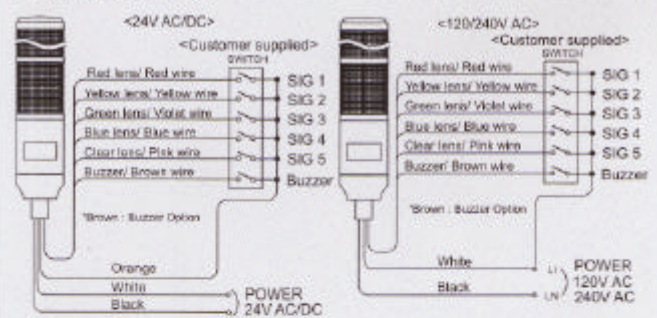
• "T" Terminal Board Version (UNIT: mm)

• Specifications

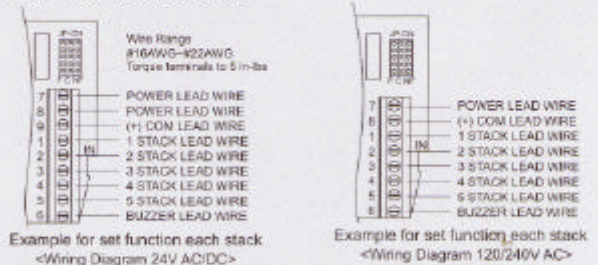
Series	MT 5C	MT 8C
Power supply	24VAC/ DC, 120VAC, 240VAC	
IP level	IP 56 / UL NEMA 12, 3R (Buzzer type NEMA 1 R)	
Lens color	Red, Green, Yellow, Blue, Clear	
Flash rate	80 / min	
Buzzer kit	MPZ 56A / MPZ 56C MPZ 85A / MPZ 85C	
Sound level	80 dB(85mA)	
Current consumption	1 Stack	24V:0.4A / 120V:0.08A / 240V:0.04A
	2 Stack	24V:0.8A / 120V:0.16A / 240V:0.08A
	3 Stack	24V:1.2A / 120V:0.24A / 240V:0.12A
	4 Stack	24V:1.6A / 120V:0.32A / 240V:0.16A
	5 Stack	24V:2.0A / 120V:0.4A / 240V:0.2A
Bulb type	MAB-T15-D-volt/10W	
Bulb voltage and wattage	24VAC/DC:24V10W 120VAC:120V10W 240VAC:240V 10W	
Termination	Wire leads or terminals	
Approvals	c UL us / CE	

1 Connections

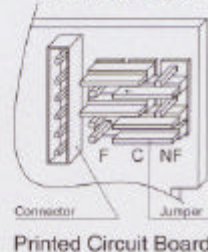
▶ Leads Out Version



▶ Terminal Board Version

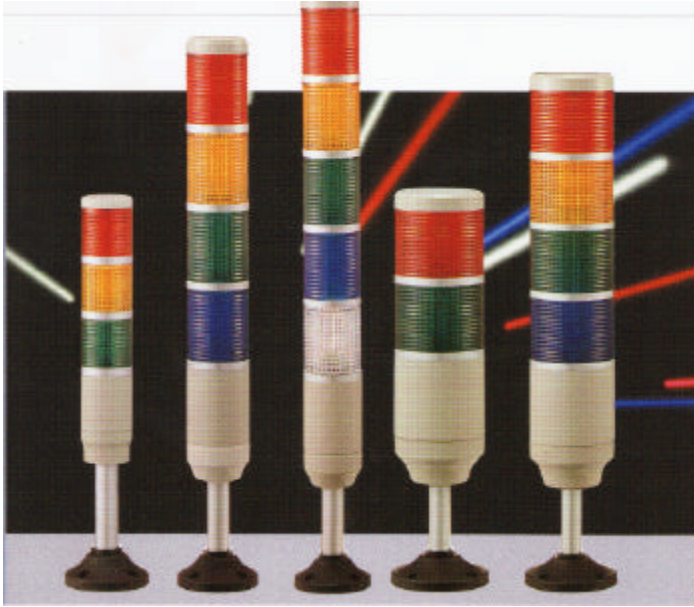


▶ Flasher programming



- * Example
- 5th : FLASH function
- 4th : STEADY function
- 3rd : FLASH function
- 2nd : STEADY function
- 1st : STEADY function

MT4B / 5B / 8B Series ϕ 45mm, ϕ 56mm, ϕ 85mm Steady function Tower Light



Features

- Prism-cut lenses for superior light distribution
- 4 mounting styles available
- One to five light models
- 4 operating voltage available
- 5 lens colors available
- Inexpensive price

Ordering information

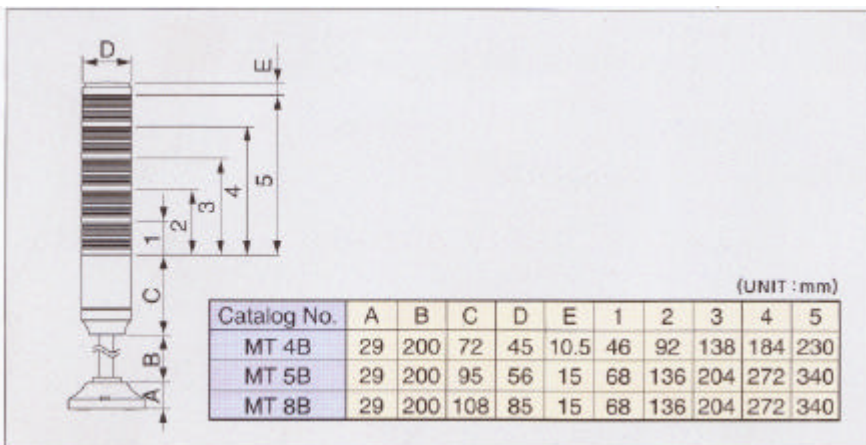
		MT 5B 3 A L RYG					
		1	2	3	4	5	6
1	MT	Series					
2	48	45mm diameter only Steady function					
	5B	56mm diameter only Steady function					
	8B	85mm diameter only Steady function					
3	1	1 Stack (Red)					
	2	2 Stack (Red+Green)					
	3	3 Stack (R+Yellow+G)					
	4	4 Stack (R+Y+G+Blue)					
	5	5 Stack (R+Y+G+B+Clear)					
4	D	12VAC / DC					
	A	24VAC / DC					
	B	120VAC					
	C	240VAC					
5	L	Leads out					
6	R	Red lens					
	G	Green lens					
	Y	Yellow lens					
	B	Blue lens					
	C	Clear lens					

See page 10 for Mounting options.

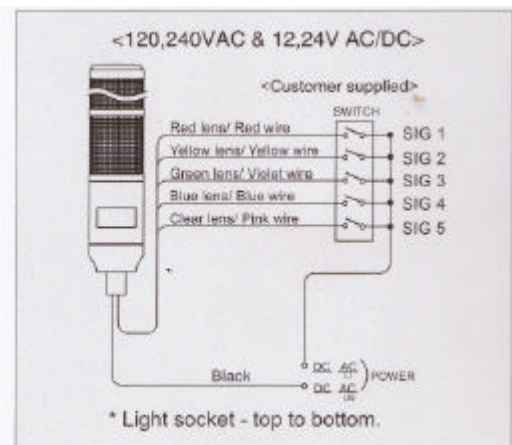
Specifications

Series	MT 4B	MT 5B	MT 8B
Power supply	12VDC, 24VDC, 120VAC, 240VAC		
IP level	IP 56 / UL NEMA 12, 3R		
Lens color	Red, Green, Yellow, Blue, Clear		
Current consumption	1 Stack 12V:0.4A/24V:0.2A/120V:0.04A/240V:0.02A		12V:0.8A/24V:0.4A/120V:0.08A/240V:0.04A
	2 Stack 12V:0.8A/24V:0.4A/120V:0.08A/240V:0.04A		12V:1.7A/24V:0.8A/120V:0.17A/240V:0.08A
	3 Stack 12V:1.2A/24V:0.6A/120V:0.12A/240V:0.06A		12V:2.5A/24V:1.2A/120V:0.25A/240V:0.12A
	4 Stack 12V:1.6A/24V:0.8A/120V:0.16A/240V:0.08A		12V:3.3A/24V:1.7A/120V:0.33A/240V:0.17A
	5 Stack 12V:2.0A/24V:1.0A/120V:0.2A/240V:0.1A		12V:4.2A/24V:2.1A/120V:0.4A/240V:0.2A
Bulb type	MAB-T09-S-volt/5W		MAB-T15-D-volt/10W
Bulb voltage and wattage	12V : 12V5W, 24V : 24V5W, 120V : 120V5W, 240V : 240V5W		12V : 12V10W, 24V : 24V10W, 120V : 120V10W, 240V : 240V10W
	Approvals c UL us / CE (Only 24VAC/DC, 120VAC, 240VAC)		

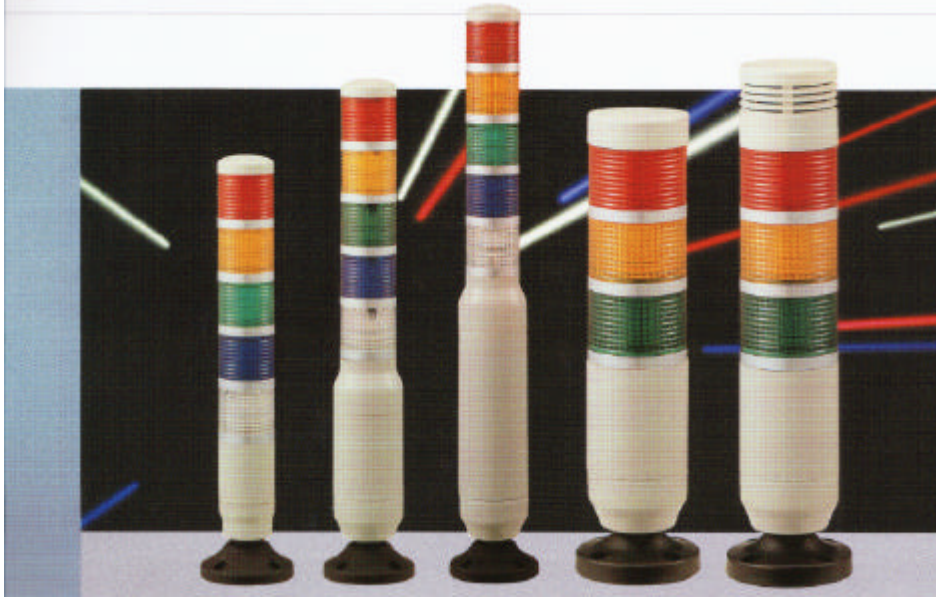
Dimensions



Connections



CE **PME /PRE Series** $\phi 45\text{mm}$ / $\phi 56\text{mm}$ LED Tower Light



• Specifications

Series	PME series PRE series	
Power supply	12VAC/DC, 24VAC/DC, 120VAC, 240VAC	
IP level	IP 56	
Lens color	Red, Green, Yellow, Blue, Clear	
Flash rate	80 / min	
PME series Current consumption	1 Stack	12V:41 mA, 24V:27mA, 120V:28mA, 240V:28mA
	2 Stack	12V:89mA, 24V:57mA, 120V:60mA, 240V:60mA
	3 Stack	12V:149mA, 24V:95mA, 120V:99mA, 240V:99mA
	4 Stack	12V:204mA, 24V:125mA, 120V:131 mA, 240V:131 mA
	5 Stack	12V:240mA, 24V:155mA, 120V:163mA, 240V:163mA
PRE series Current consumption	1 Stack	12V:54mA, 24V:28mA, 110V:25mA, 240V:25mA
	2 Stack	12V:109mA, 24V:62mA, 110V:57mA, 240V:57mA
	3 Stack	12V:169mA, 24V:102mA, 110V:91 mA, 240V:91 mA
	4 Stack	12V:223mA, 24V:136mA, 110V:124mA, 240V:124mA
	5 Stack	12V:275mA, 24V:169mA, 110V:155mA, 240V:155mA
Bulb type	LED Modular	
Buzzer kit	No buzzer	Available MPZ 56E
Sound level	No buzzer	80 dB(85mA)
Termination	Wire leads	
Approvals	CE	

• Ordering information

		PME F 3 02 RYG				
		1	2	3	4	5
1	PME	$\phi 45\text{mm}$ LED Tower Light				
	PRE	$\phi 56\text{mm}$ LED Tower Light				
2		Steady light				
	F	Flashing light				
3	1	1 Stack (Red)				
	2	2 Stack (Red+Green)				
	3	3 Stack (R+Yellow+G)				
	4	4 Stack (R+Y+G+Blue)				
	5	5 Stack (R+Y+G+B+Clear)				
4	01	12VAC/ DC				
	02	24VAC/ DC				
	10	120VAC (Only PRE series)				
	20	240VAC (Only PRE series)				
	OF	110-240VAC (Only PME series)				
5	R	Red lens				
	G	Green lens				
	Y	Yellow lens				
	B	Blue lens				
	C	Clear lens				

See page 10 for Mounting options

Available Buzzer kits(MPZ 56E) for PRE series

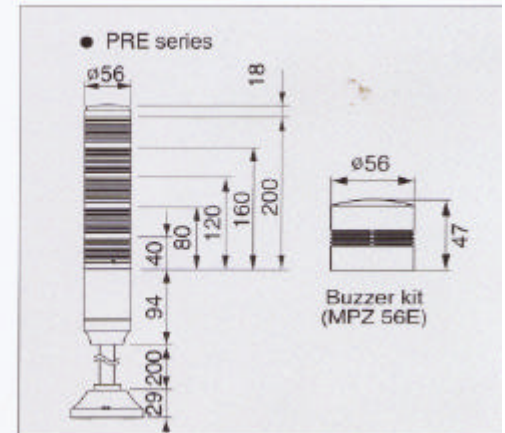
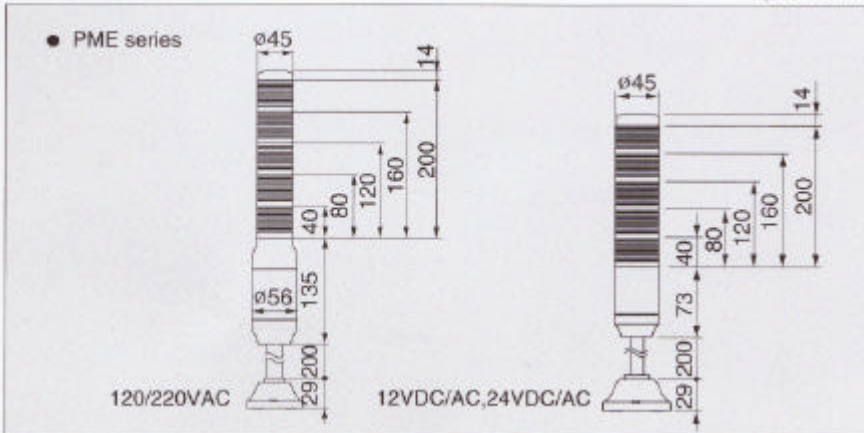
Buzzer kit; MPZ-56E

Features

- Prism-cut lenses for even light distribution
- Selectable Base, Pole or Wall bracket mounting
- Steady and flashing models
- 5 stack light color available
- Various operating voltage available
- Buzzer kit(MPZ 56E) adaptable for PRE series
- LED light provides long life and reliability

■ Dimensions

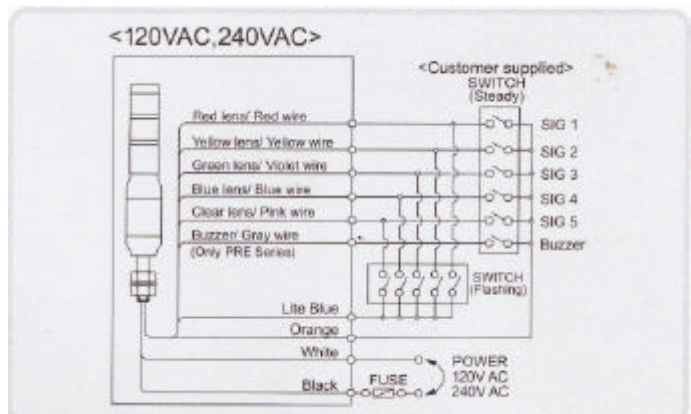
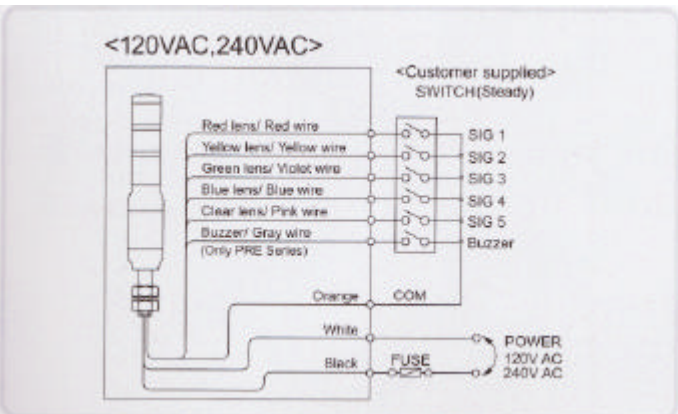
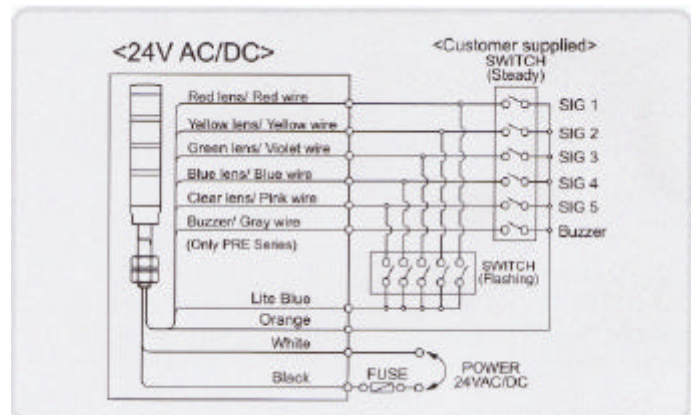
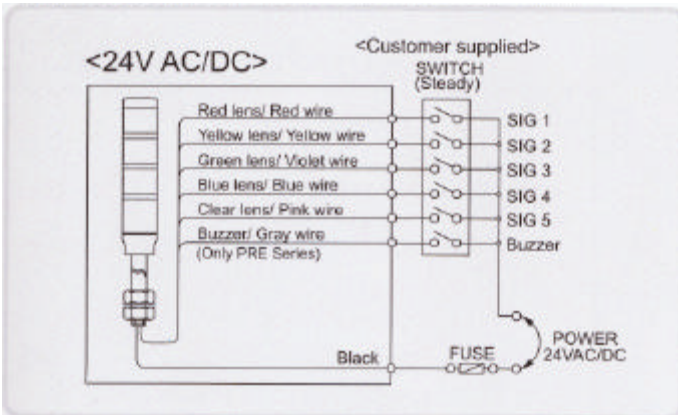
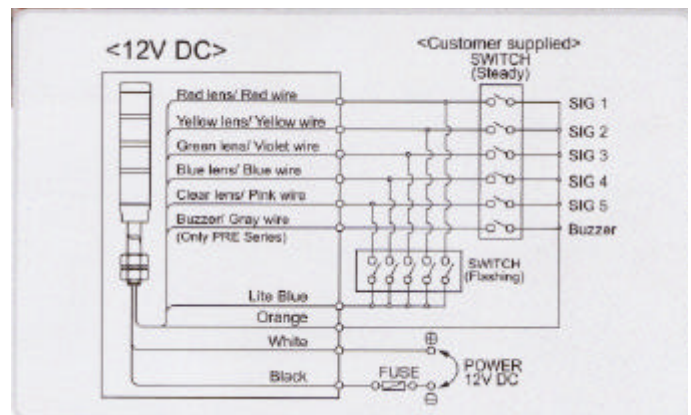
(UNIT:mm)



PME /PRE Connections



You may change the order of LED modules but the same wire will always control a given modules.



Accessories

Ordering information and Dimensions



Mounting Poles

MAP

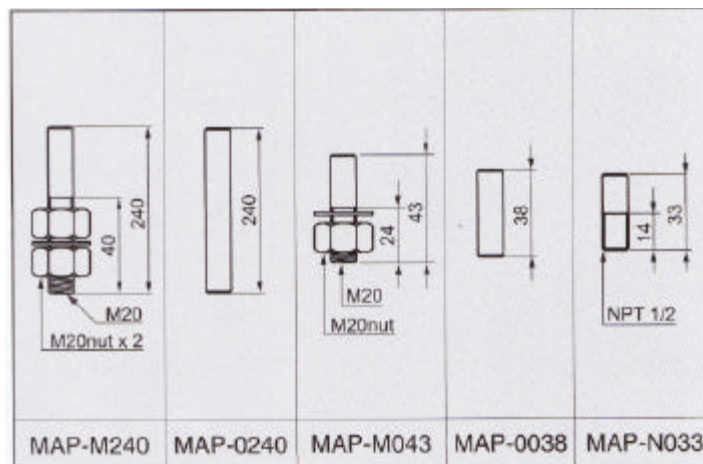
1

M240

2

1	Pole	
2	M240	240mm M20 threaded pole with 2nuts
	O240	240mm pole for MAM-B070/BO90
	M043	43mm M20 threaded pole with 1 nuts
	O038	38mm pole for MAM-B070/BO90
	N033	33mm NPT 1/2 threaded pole

1 Dimensions



Mounting Brackets

MAM

1

DS23

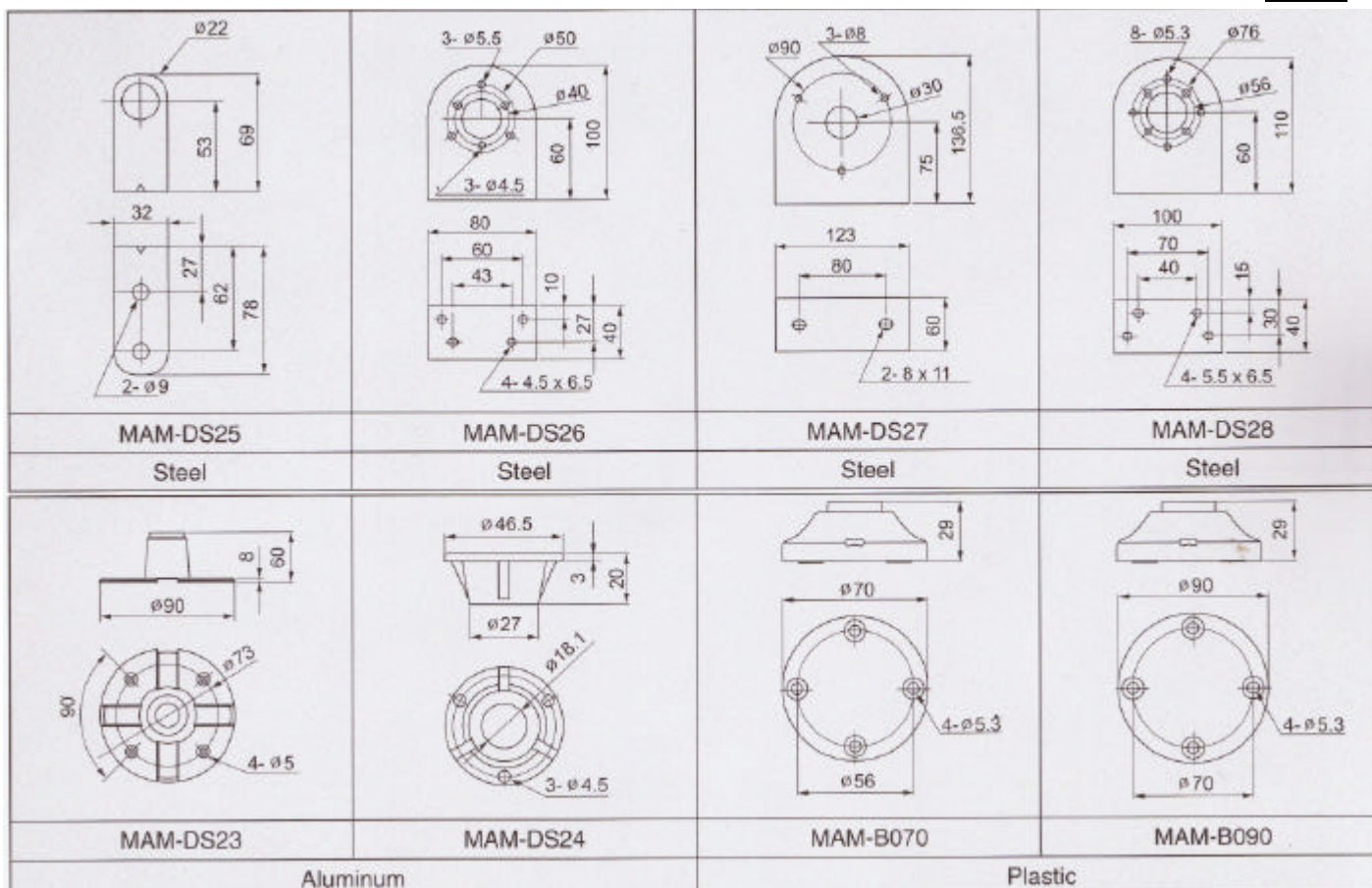
2

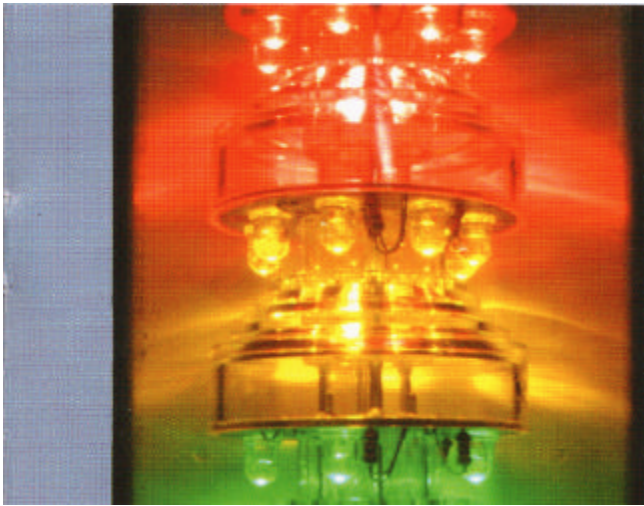
1	Mount	
2	B070	Tower Light $\phi 45$, $\phi 56$ mm Base bracket
	B090	Tower Light $\phi 86$ mm Base bracket
	DS23	MLP Series, Base bracket
	DS24	MLP Series, Pole adaptor

2	DS25	Tower Light, wall mount bracket
	DS26	ML and AS Series, wall mount bracket
	DS27	AVG Series, wall mount bracket
	DS28	Tower Light, wall mount bracket

Dimensions

(UNIT: mm)





• **Bulbs (Incandescent)**

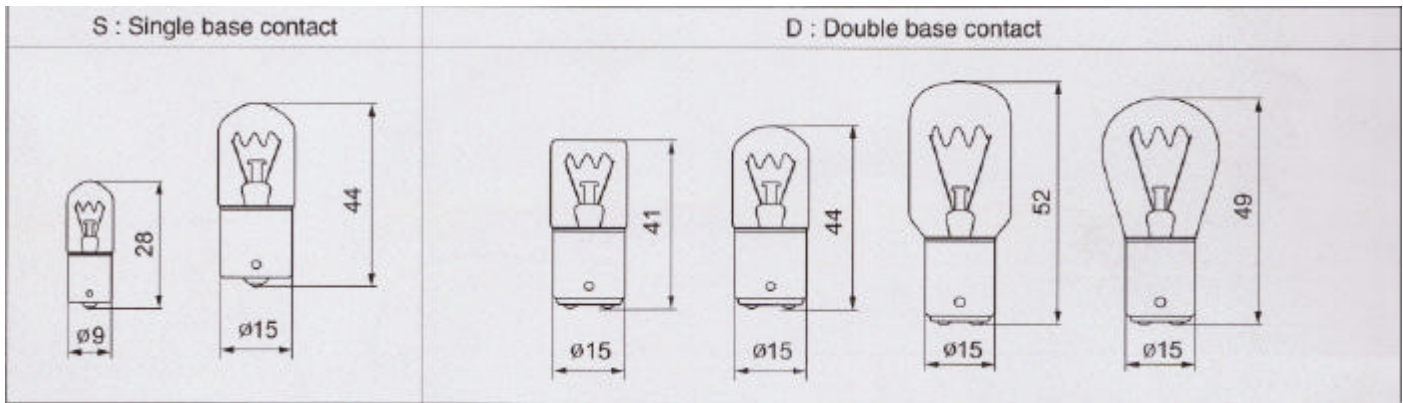
MAB T09 S 012 05
 1 2 3 4 5

1	MAB	Incandescent bulb	3	D	Double contact base
2	T09	9mm bayonet socket	4	Voltage	012(12V),024(24V), 120(120V), 240(240V)
	T15	15mm bayonet socket			
3	S	Single contact base	5	Wattage	05(5W), 08(8W), 10(10W), 25(25W)

T-15		T-09		T-09	
Double base contact		Single base contact		Single base contact	
Voltage	Wattage	Voltage	Wattage	Voltage	Wattage
12V	10W	12V	5W	12V	5W
12V	25W	12V	8W	24V	5W
24V	10w	24V	8W	120V	5W
24V	25W	130V	8W	240V	5W
110v	25W	240V	8W		
120V	10W				
220V	25W				
240V	10W				

• **Dimensions**

(UNIT: mm)



• **Base mount for MAM-B070 / MAM-B090 Assembly**

Base mount assembly

- Loosen screw on bottom of base unit, Do not totally remove this screw.
- Insert the mounting pole (type MAP-M240, MAP-0240, MAP-N033,MAP-0038, MAP-M043) and tighten the screw at the bottom of base unit.
- If you have a plastic base mount (MAM-B070, MAM-B090), insert it on bottom of pole.
- Insert a pole holder gasket and pole base into bottom of base mount and tighten screws as shown in drawing.

Mounting assembly